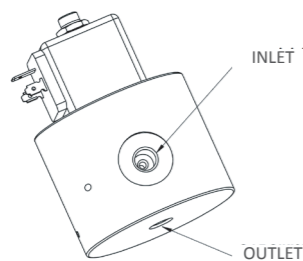
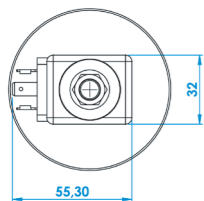
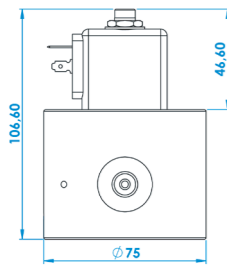




SOLENOID VALVES



|SV



Our heavy-duty, stainless steel solenoid valve with impressive flow capacity.

CHARACTERISTICS

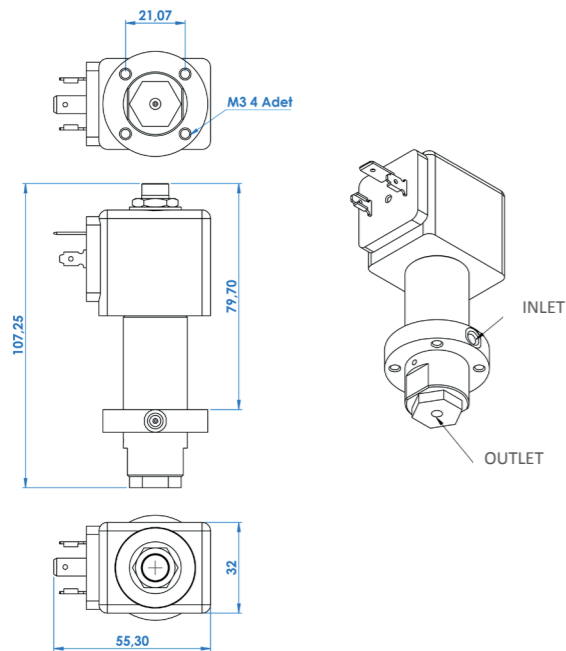
- Working Independent of Direction
- Robust and Leaktight Design
- 316SS Body Structure
- Different Outlet Connection Adaptors
- IP 65 EN 60529 Compliant
- DEF/STAN 58-96/4 Compliant
- Different Voltage Values and Coil Options

TECHNICAL SPECIFICATIONS

- Max Current: 1.5 A
- Continuous Current: 0.7 - 1.0 A
- Flow Capacity: 4000 NL/min
- Design Temperature: -45°C/+71°C
- Working Temperature: -40°C / +63°C
- Design Pressure: 1000 bar
- Max Working Pressure: 690 bar
- Max Weight: 2,500 g
- Max Size: 107 x 75 x 75 mm
- O-Ring: NBR or FKM

Component	Material
Spring	316SS
Stem	316SS
Seat	PEEK
Filter	316SS
Poppet	316SS
Body	316SS
Piston	316SS





Our tiny but mighty stainless steel solenoid valve.

CHARACTERISTICS

- Working Independent of Direction
- Robust and Leaktight Design
- 316SS Body Structure
- Different Outlet Connection Adaptors
- IP 65 EN 60529 Compliant
- DEF/STAN 58-96/4 Compliant
- Different Voltage Values and Coil Options

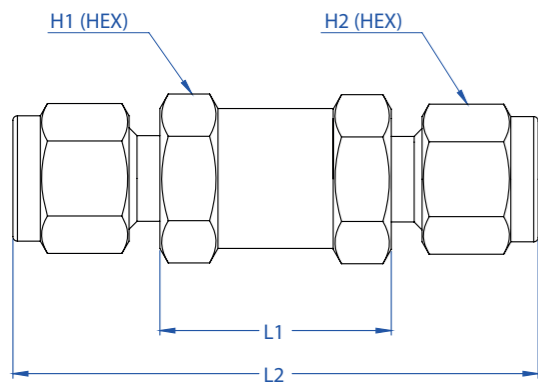
TECHNICAL SPECIFICATIONS

- Max Current: 1.5 A
- Continuous Current: 0.7 - 1.0 A
- Flow Capacity: 1000 NL/min
- Design Temperature: -45°C/+71°C
- Working Temperature: -40°C / +63°C
- Design Pressure: 1000 bar
- Max Working Pressure: 690 bar
- Max Weight: 500 g
- Max Size: 108 x 56 x 33 mm
- O-Ring: NBR or FKM

Component	Material
Spring	316SS
Stem	316SS
Seat	PEEK
Filter	316SS
Poppet	316SS
Body	316SS
Piston	316SS



Check Valve (VCH414)



Our compact design check valve with a working pressure up to 400 bar.

CHARACTERISTICS

- Unidirectional Linear Flow
- Robust and Leaktight Design
- 316SS Body Structure
- Different Outlet Connection Adaptors
- IP 65 EN 60529 Compliant
- DEF/STAN 58-96/4 Compliant

TECHNICAL SPECIFICATIONS

- Design Temperature: -45°C/+71°C
- Working Temperature: -40°C / +63°C
- Design Pressure: 500 bar
- Max Working Pressure: 414 bar
- Flow Diameter: 1/8"
- Max Weight: 460 g
- Max Size: 117 x 77 x 19 mm
- Connection Type: CF

Product ID	DH inch	1H inch	2L inch	1L inch	2 inch
VCH4144_1/16	1/165	/8	5/161	.001	.79
VCH4144_1/8	1/8	5/8	7/161	.002	.20
VCH4144_1/4	1/4	5/8	9/161	.002	.38
VCH4144_6	6 mm5	/8	9/161	.002	.38



Contact us



Address

Logos Kimya Teknolojileri Sanayi ve Ticaret Ltd. Őti.
OSTİM Mah. 1151. Sk 1/64 Gül 86 Sitesi Yenimahalle ANKARA

Contact

Phone: +0(312) 385 20 82
Email: info@logoskimya.com
Web: logoskimya.com