



REGULATORS



Operation

Pressure regulators are essentially valves that control the pressure of a fluid in a system. There are mainly two types of pressure regulators, pressure reducing and back pressure regulators.

Pressure Reducing Regulators control the pressure of the downstream by the help of either a diaphragm or a piston. The outlet pressure can be adjusted by the handle of the regulator or it can be pre-set to a desired value as per the type of the regulator. The pressure reducing regulators are normally-open and they are mostly installed before sensitive equipment in order to protect it.

Back Pressure Regulators, on the other hand, control the pressure of the upstream. They basically have the same working principle of the pressure reducing regulators, only major difference is that back pressure regulators are normally-close. To prevent any damages to sensitive equipment, they can be installed either parallel to or after. The inlet pressure of the regulator is kept constant and the vent opens if inlet pressure exceeds the set value.

Testing

Re-Lok Regulators are tested both for performance and leakage at their respective pressures. The tests are conducted either with Argon and Nitrogen gases.

Cleaning and Packaging

Re-Lok Regulators are cleaned compliant with DEF/STAN 58-96/4. After the regulators successfully pass every test, they are packaged accordingly to protect them from any damage or impurities.



HPReg



BPRreg



CPRreg



MCRreg

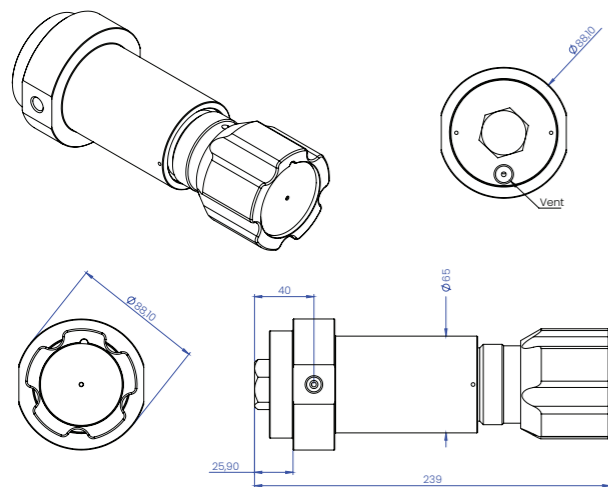


FPRreg



MSReg

HPReg



Our most heavy-duty and sturdy regulator with pressure control range up to 690 bar.

CHARACTERISTICS

- Robust and Leaktight Design
- 316SS Body Structure
- 7 Pressure Range Options
- Self-Venting Option
- Selectable Handle Color Options
- Different Outlet Connection Adaptors
- Low Dead Volume
- DEF/STAN 58-96/4 Compliant
- High Resistance to Overpressure

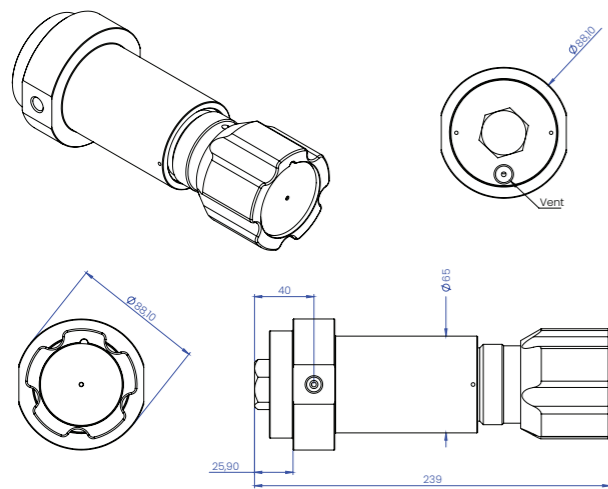
TECHNICAL SPECIFICATIONS

- Design Temperature: -45°C/+71°C
- Working Temperature: -40°C / +63°C
- Max Inlet Pressure: Up to 690 bar
- Flow Capacity: 400 NL/min
- Max Weight: 4,750.0 g
- Max Size: 240 x 89 x 89 mm
- Seat Material: PEEK
- Back Up Rings: PTFE

Component	Material
Spring	316SS
Stem	316SS
Seat	PEEK
Filter	316SS
Poppet	316SS
Body	316SS
Piston	316SS



HPReg



HPREG - 700 - SS - NBR - 0.06 - S - NPT



1. Pressure Control Range

50: 0-50 bar (0-725 psi)

100: 0-100 bar (0-1,450 psi)

140: 0-140 bar (0-2,000 psi)

200: 0-200 bar (0-2,900 psi)

414: 0-414 bar (0-6,000 psi)

550: 0-550 bar (0-8,000 psi)

690: 0 -690 bar (0-10,000 psi)

4. CV*

0.06: 0.06

2. Material

316SS: SS

3. O-Ring

NBR: NBR

5. Venting

Self-Venting: S
Non-Venting: N

6. Connection Type

NPT: NPT
BSPP: BSP
MP: MP



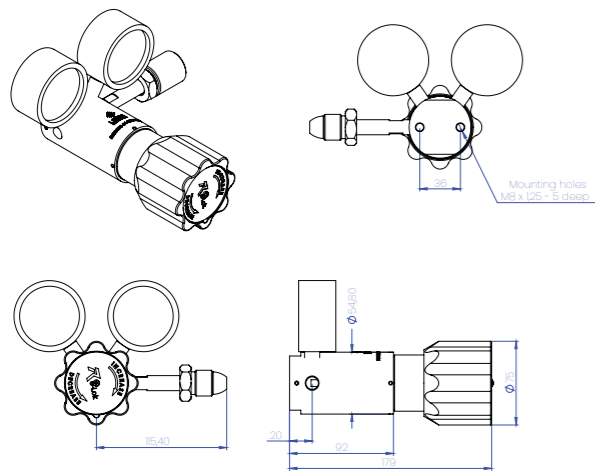


CHARACTERISTICS

- Robust and Leaktight Design
- 316SS Body Structure
- 6 Pressure Range Options
- 5 Gauge Port Options
- Self-Venting Option
- Various Cylinder Color Options
- Selectable Handle Color Options
- Different Outlet Connection Adaptors
- Low Dead Volume
- DEF/STAN 58-96/4 Compliant
- High Resistance to Overpressure

TECHNICAL SPECIFICATIONS

- Design Temperature: -45°C/+71°C
- Working Temperature: -40°C / +63°C
- Max Inlet Pressure: Up to 550 bar
- Flow Capacity: 400 NL/min
- Max Weight: 2,750.0 g
- Max Size: 180 x 75 x 75 mm
- Seat Material: PEEK
- Back Up Rings: PTFE

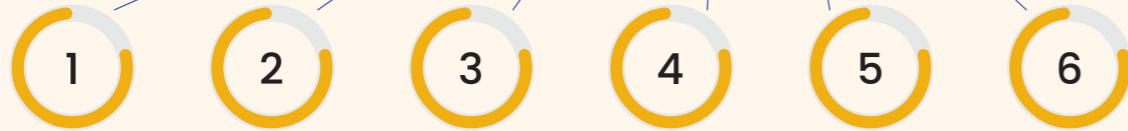


Re-Lok's robust regulator to use with any type of gas cylinders.

Component	Material
Knob Handle	Polymaide
Spring	316SS
Steam	316SS
Seat	PEEK
Filter	316SS
Poppet	316SS
Bosy	316SS
Piston	316SS



HPREG - 700 - SS - NBR - 0.06 - S - NPT



1. Pressure Control Range

50: 0-50 bar (0-725 psi)

100: 0-100 bar (0-1,450 psi)

140: 0-140 bar (0-2,000 psi)

200: 0-200 bar (0-2,900 psi)

414: 0-414 bar (0-6,000 psi)

550: 0-550 bar (0-8,000 psi)

690: 0 -690 bar (0-10,000 psi)

2. Material

316SS: SS

3. O-Ring

NBR: NBR

4. CV*

0.06: 0.06

5. Venting

Self-Venting: S

Non-Venting: N

6. Connection Type

NPT: NPT

BSP: BSP

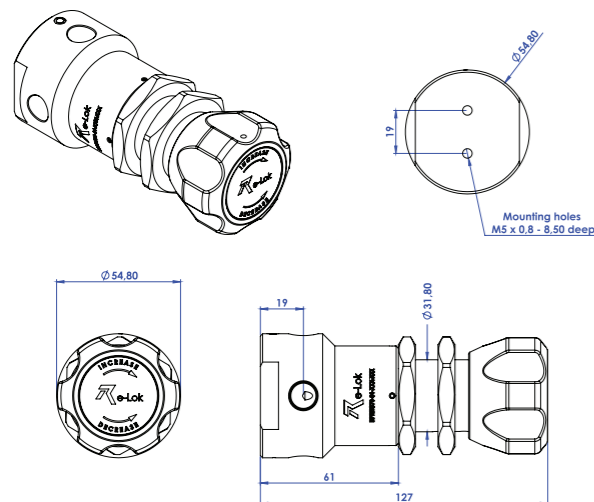
MP: MP

Cylinder Connection	Gases	Rated Pressure psi/bar	Connection Indicator
CGA 320	Carbon Dioxide (CO₂)	3000 / 206	1
CGA 347	High Pressure Air	5500 / 379	2
CGA 350	Hydrogen, Natural Gas	3000 / 206	3
CGA 540	Oxygen	3000 / 206	4
CGA 580	Helium, Nitrogen	3000 / 206	5
CGA 590	Sulfur Hexafluoride	3000 / 206	6
CGA 660	Nitrogen Dioxide, Phosgene	3000 / 206	7
CGA 680	High Pressure Inert Gas	5500 / 379	8
CGA 695	High Pressure Flammable Gas	5500 / 379	9
BS 3	Argon, Helium	3600 / 250	10
BS 4	Hydrogen, Natural Gas	3600 / 250	11
BS 8	Carbon Dioxide	3600 / 250	12
BS/ISO 30	High Pressure Inert Gas	4351 / 300	13
BS/ISO 31	High Pressure Air	4351 / 300	14
BS/ISO 32	High Pressure Oxidising Gas	4351 / 300	15
BS/ISO 38	High Pressure Flammable Gas	4351 / 300	16
DIN 1	Ethane, Hydrogen	4351 / 300	17
DIN 5	Carbon Monoxide, Hydrogen Sulfide	4351 / 300	18
DIN 6	Ammonia, Xenon	4351 / 300	19
DIN 8	Chlorine, Hydrogen Chlorine	4351 / 300	20
DIN 10	Nitrogen	4351 / 300	21
DIN 13	Air	4351 / 300	22

Port Options



FPReg



Our most heavy-duty and sturdy regulator with pressure control range up to 690 bar.

CHARACTERISTICS

- Robust and Leaktight Design
- Lightweight and Compact
- 316SS Body Structure
- 6 Gauge Port Options
- Self-Venting Option
- Selectable Handle Color Options
- Different Outlet Connection Adaptors
- Low Dead Volume
- DEF/STAN 58-96/4 Compliant
- High Resistance to Overpressure

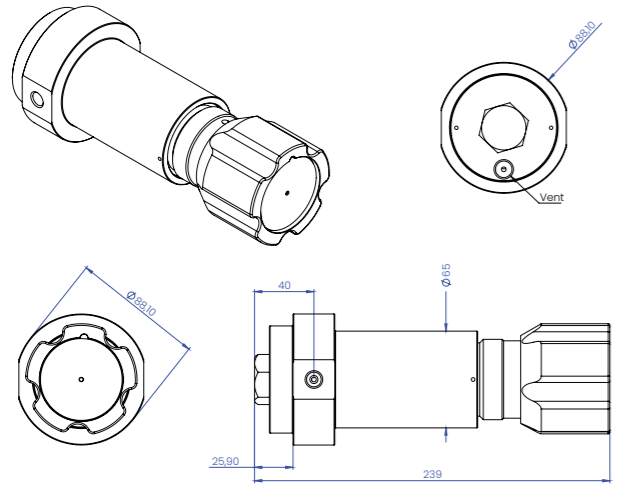
TECHNICAL SPECIFICATIONS

- Design Temperature: -45°C/+71°C
- Working Temperature: -40°C / +63°C
- Max Inlet Pressure: Up to 250 bar
- Flow Capacity: 200 NL/min
- Max Weight: 1,230.0 g
- Max Size: 127 x 55 x 55 mm
- Seat Material: PEEK
- Self-Venting Seat Material: ETFE
- Back Up Rings: PTFE

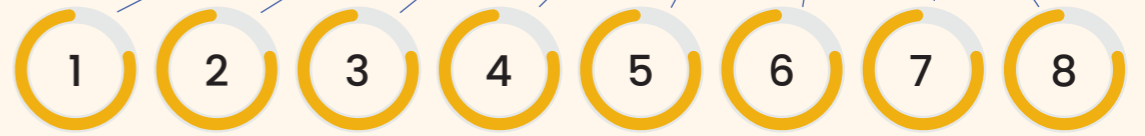
Component	Material
Knob Handle	Polymaide
Spring	316SS
Steam	316SS
Seat	PEEK
Filter	316SS
Poppet	316SS
Bosy	316SS
Piston	316SS



FPReg



FPREG - 700 - SS - NBR - 0.2 - S - NPT - 1 - B



1. Pressure Control Range
70: 0-70 bar (0-1,015 psi)

2. Material
316SS: SS

3. O-Ring
NBR: NBR
FKM: FKM

4. CV*
0.06: 0.06

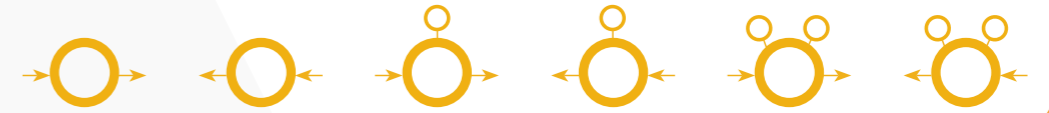
5. Venting
Self-Venting: S
Non-Venting: N

6. Connection Type
NPT: NPT
BSPP: BSP
MP: MP

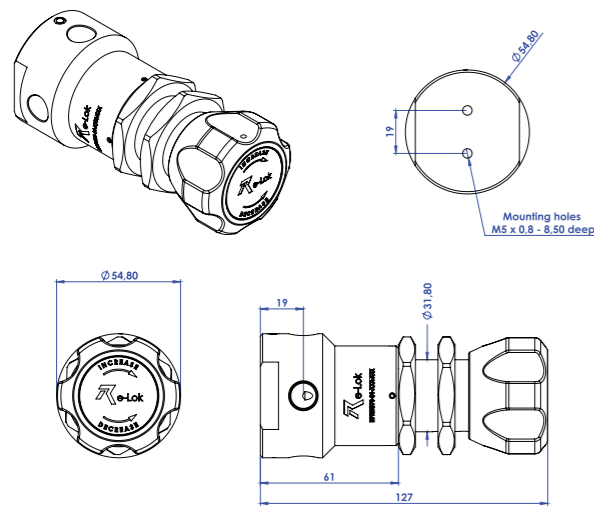
7. Pressure Gauge
0: None
1:1 Gauge
2:2 Gauge

8. Port Option
See Pg. 8

Port Options



BPRreg



Our one and only Back Pressure Regulator with sensitive pressure control.

CHARACTERISTICS

- Robust and Leaktight Design
- Lightweight and Compact
- 316SS Body Structure
- 8 Gauge Port Options
- Selectable Handle Color Options
- Different Outlet Connection Adaptors
- Low Dead Volume
- DEF/STAN 58-96/4 Compliant
- High Resistance to Overpressure

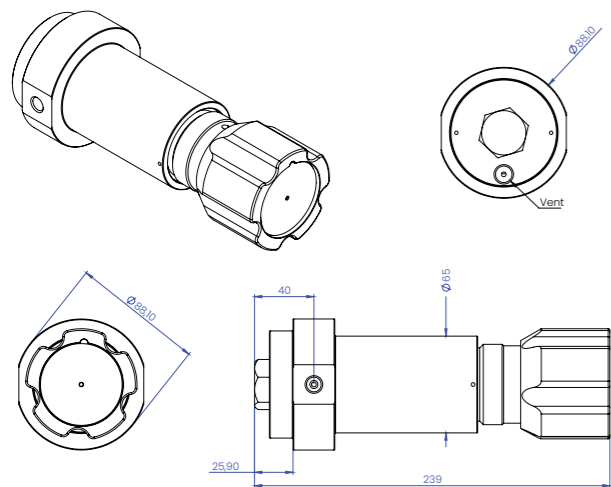
TECHNICAL SPECIFICATIONS

- Design Temperature: -45°C/+71°C
- Working Temperature: -40°C / +63°C
- Max Inlet Pressure: Up to 250 bar
- Flow Capacity: 200 NL/min
- Max Weight: 1,230.0 g
- Max Size: 127 x 55 x 55 mm
- Seat Material: PEEK
- Back Up Rings: PTFE

Component	Material
Knob Handle	Polymaide
Spring	316SS
Steam	316SS
Seat	PEEK
Filter	316SS
Poppet	316SS
Bosy	316SS
Piston	316SS



BPReg



BPREG - 700 - SS - NBR - 0.06 - NPT - 1 - B



1. Pressure Control Range
70: 0-70 bar (0-1,015 psi)

2. Material
316SS: SS

3. O-Ring
NBR: NBR
FKM: FKM

4. CV*
0.06: 0.06

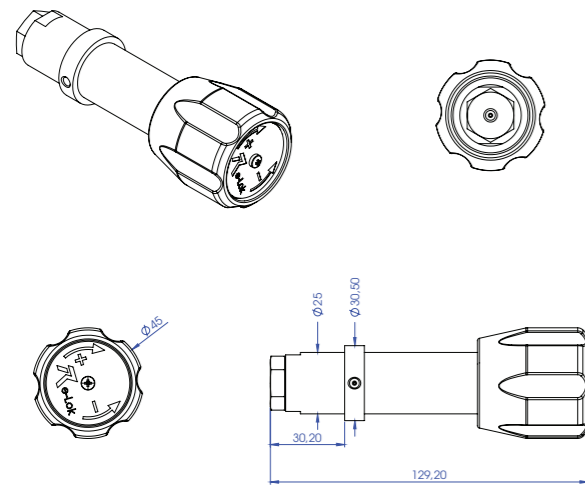
5. Venting
Self-Venting: S
Non-Venting: N

6. Connection Type
NPT: NPT
BSPP: BSP
MP: MP

7. Pressure Gauge
0: None
1:1 Gauge
2:2 Gauge

Port Options





Re-Lok's tiny but mighty regulator with set pressure up to 700 bar.

CHARACTERISTICS

- Robust and Leaktight Design
- Lightweight and Compact
- 316SS Body Structure
- Handle or Set Screw Options
- Selectable Handle Color Options
- Almost Zero Dead Volume
- DEF/STAN 58-96/4 Compliant
- High Resistance to Overpressure

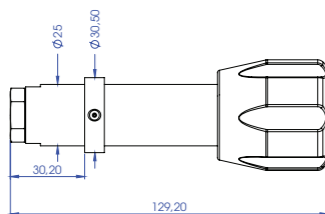
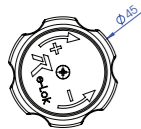
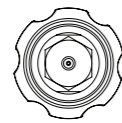
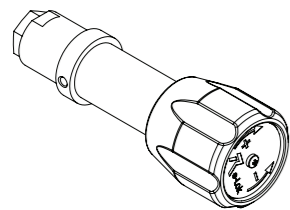
TECHNICAL SPECIFICATIONS

- Design Temperature: -45°C/+71°C
- Working Temperature: -40°C / +63°C
- Max Inlet Pressure: Up to 700 bar
- Flow Capacity: 200 NL/min
- Max Weight: 325.0 g
- Max Size: 130 x 45 x 45 mm
- Seat Material: PEEK
- Back Up Rings: PTFE

Component	Material
Knob Handle	Polymaide
Spring	316SS
Steam	316SS
Seat	PEEK
Filter	316SS
Poppet	316SS
Bosy	316SS
Piston	316SS



MCRReg



MCREG - 700 - SS - NBR - 0.06 - H - V



1. Pressure Control Range

50: 0-50 bar (0-725 psi)

100: 0-100 bar (0-1,450 psi)

140: 0-140 bar (0-2,000 psi)

200: 0-200 bar (0-2,900 psi)

414: 0-414 bar (0-6,000 psi)

550: 0-550 bar (0-8,000 psi)

700: 0-700 bar (0-10,000 psi)

2. Material

316SS: SS

3. O-Ring

NBR: NBR

FKM: FKM

4. CV*

0.06: 0.06

5. Venting

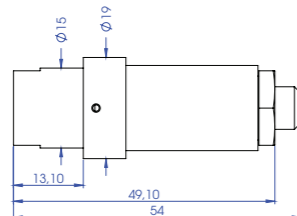
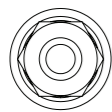
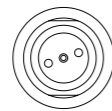
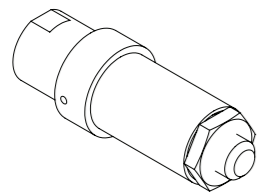
H: Handle

S: Set Screw

6. Connection Type

Contact Re-Lok





Our smallest and easiest to use regulator with factory-set outlet pressure.

CHARACTERISTICS

- Robust and Leaktight Design
- Lightweight and Compact
- Easy to Use with Set Pressure
- 316SS Body Structure
- Almost Zero Dead Volume
- DEF/STAN 58-96/4 Compliant
- High Resistance to Overpressure

TECHNICAL SPECIFICATIONS

- Design Temperature: $-45^{\circ}\text{C}/+71^{\circ}\text{C}$
- Working Temperature: $-40^{\circ}\text{C} / +63^{\circ}\text{C}$
- Max Inlet Pressure: Up to 550 bar
- Flow Capacity: Up to 100 NL/min
- Max Weight: 75.0 g
- Max Size: 54 x 19 x 19 mm
- Seat Material: PEEK
- Back Up Rings: PTFE

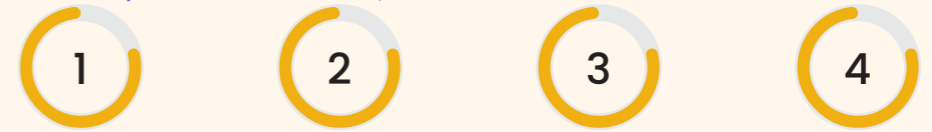
Component	Material
Knob Handle	Polymaide
Spring	316SS
Steam	316SS
Seat	PEEK
Filter	316SS
Poppet	316SS
Bosy	316SS
Piston	316SS



MSReg



MCREG - 100 - SS - NBR - 0.06



1. Pressure Control Range

50: 0-50 bar (0-725 psi)

100: 0-100 bar (0-1,450 psi)

140: 0-140 bar (0-2,000 psi)

200: 0-200 bar (0-2,900 psi)

414: 0-414 bar (0-6,000 psi)

550: 0-550 bar (0-8,000 psi)

3. O-Ring

NBR: NBR

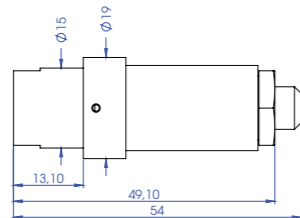
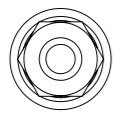
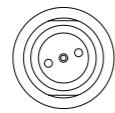
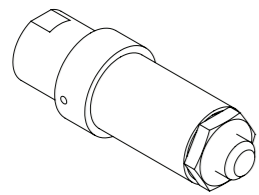
FKM: FKM

2. Material

316SS: SS

4. CV*

0.06: 0.06



Contact us



Address

Logos Kimya Teknolojileri Sanayi ve Ticaret Ltd. Őti.
OSTİM Mah. 1151. Sk 1/64 Gül 86 Sitesi Yenimahalle ANKARA

Contact

Phone: +0(312) 385 20 82
Email: info@logoskimya.com
Web: logoskimya.com